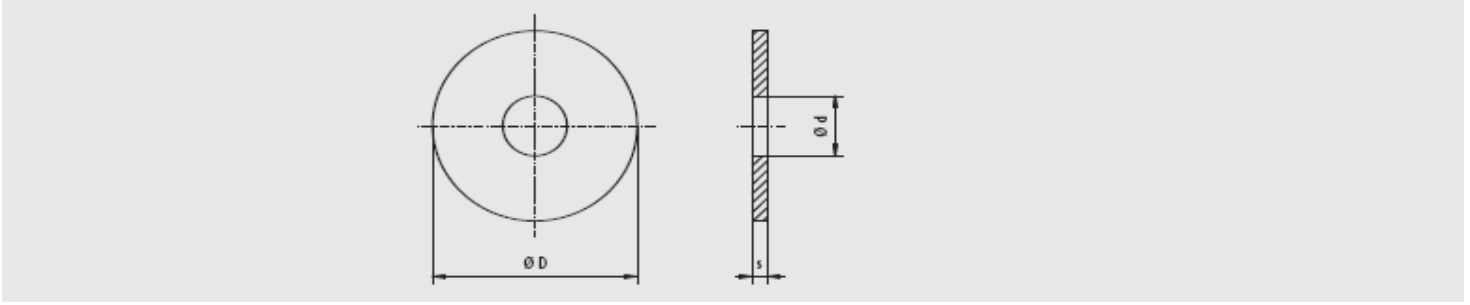


BRUTTO CHF
Hartmetall-Rondellen, roh gesintert

Solid tungsten carbide slitting saws, as sintered

Ebauches pour scies circulaires en métal dur monobloc, bruts de frittage

Dischi per seghe circolari in metallo duro, grezzi di sinterizzazione

 LI-MV-007 / Rev. 3
 Version: 01.12.2017
 Druckdatum: 26.01.2018
 Gültigkeit bis auf Widerruf
 00000 - 000 - 00


Abmessung Dimension Dimension Dimensioni	roh as sintered brut de frittage grezzi	Artikel-Nr. Article-No. Article-No. Nr. Articolo
---	--	---

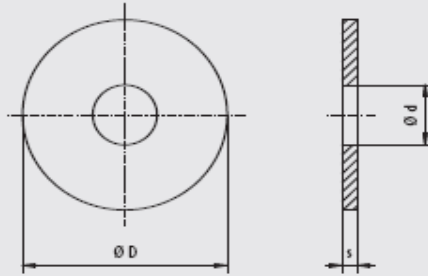
Ø D mm	Ø d mm	s mm	Gr	RF13 CHF	
15.5	4.7	0.7	1.80	1.50	55015070505
15.5	4.7	1.0	2.57	1.67	55015100505
15.5	4.7	1.3	3.34	1.83	55015130505
15.5	4.7	1.5	3.86	1.97	55015150505
15.5	4.7	1.8	4.63	2.11	55015180505
15.5	4.7	2.1	5.40	2.28	55015210505
15.5	4.7	2.3	5.91	2.42	55015230505
15.5	4.7	2.8	7.20	2.70	55015280505
15.5	4.7	3.3	8.48	2.99	55015330505
20.5	4.7	0.7	3.28	1.86	55020070505
20.5	4.7	0.9	4.22	2.07	55020090505
20.5	4.7	1.0	4.69	2.19	55020100505
20.5	4.7	1.2	5.63	2.37	55020120505
20.5	4.7	1.3	6.10	2.49	55020130505
20.5	4.7	1.5	7.04	2.71	55020150505
20.5	4.7	1.7	7.97	2.89	55020170505
20.5	4.7	2.1	9.85	3.32	55020210505
20.5	4.7	2.3	10.79	3.51	55020230505
20.5	4.7	3.3	15.48	4.54	55020330505
25.5	7.7	0.7	4.87	2.26	55025070805
25.5	7.7	1.0	6.96	2.73	55025100805
25.5	7.7	1.3	9.05	3.20	55025130805
25.5	7.7	1.5	10.44	3.51	55025150805
25.5	7.7	1.8	12.53	3.96	55025180805
25.5	7.7	2.3	16.01	4.74	55025230805
25.5	7.7	3.3	22.97	6.27	55025330805
30.5	7.7	0.7	7.18	4.43	55030070805
30.5	7.7	0.9	9.23	4.90	55030090805
30.5	7.7	1.0	10.26	5.11	55030100805
30.5	7.7	1.3	13.34	5.80	55030130805
30.5	7.7	1.8	18.47	6.90	55030180805
30.5	7.7	2.0	20.52	7.38	55030200805
30.5	7.7	2.3	23.60	8.06	55030230805
30.5	7.7	2.8	28.73	9.17	55030280805
30.5	7.7	3.0	30.78	9.61	55030300805
30.5	7.7	3.3	33.86	10.30	55030330805
30.5	7.7	3.8	38.99	11.43	55030380805
30.5	7.7	4.3	44.12	12.53	55030430805
32.5	7.7	0.7	8.22	4.69	55032070805
32.5	7.7	0.9	10.57	5.21	55032090805
32.5	7.7	1.0	11.75	5.47	55032100805
32.5	7.7	1.2	14.09	5.99	55032120805
32.5	7.7	1.3	15.27	6.25	55032130805
32.5	7.7	1.5	17.62	6.76	55032150805
32.5	7.7	2.0	23.49	8.04	55032200805
32.5	7.7	2.3	27.01	8.81	55032230805
32.5	7.7	2.5	29.36	9.33	55032250805
32.5	7.7	3.3	38.76	11.38	55032330805
32.5	7.7	3.5	41.11	11.90	55032350805
32.5	7.7	3.8	44.63	12.68	55032380805
32.5	7.7	4.0	46.98	13.20	55032400805
32.5	7.7	4.3	50.50	13.97	55032430805
32.5	7.7	4.5	52.85	14.49	55032450805

BRUTTO CHF
Hartmetall-Rondellen, roh gesintert

Solid tungsten carbide slitting saws, as sintered

Ebauches pour scies circulaires en métal dur monobloc, bruts de frittage

Dischi per seghe circolari in metallo duro, grezzi di sinterizzazione

 LI-MV-007 / Rev. 3
 Version: 01.12.2017
 Druckdatum: 26.01.2018
 Gültigkeit bis auf Widerruf
 00000 - 000 - 00


Abmessung Dimension Dimension Dimensioni	roh as sintered brut de frittage grezzi	Artikel-Nr. Article-No. Article-No. Nr. Articolo
---	--	---

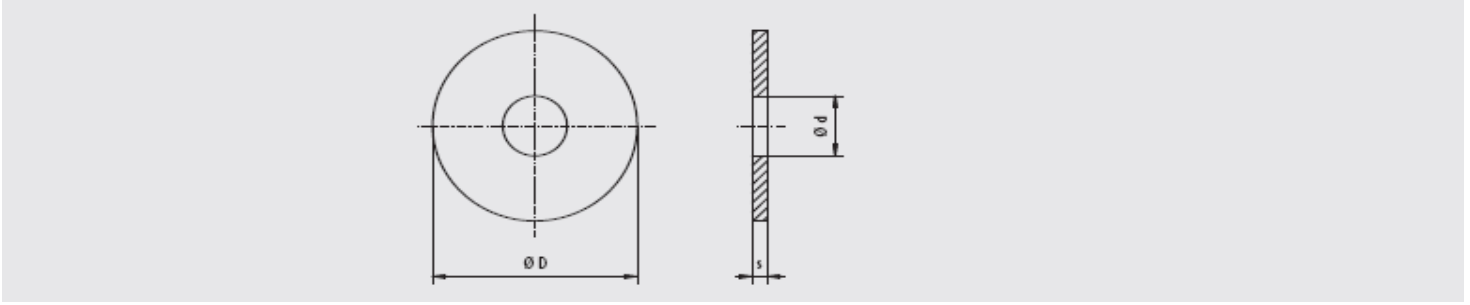
Ø D mm	Ø d mm	s mm	Gr	RF13 CHF	
40.5	9.7	0.8	14.57	6.33	55040081005
40.5	9.7	1.0	18.22	7.13	55040101005
40.5	9.7	1.3	23.68	8.33	55040131005
40.5	9.7	1.5	27.32	9.13	55040151005
40.5	9.7	1.8	32.79	10.31	55040181005
40.5	9.7	2.3	41.90	12.31	55040231005
40.5	9.7	2.8	51.00	14.29	55040281005
40.5	9.7	3.0	54.65	15.09	55040301005
40.5	9.7	3.3	60.11	16.30	55040331005
40.5	9.7	3.8	69.22	18.27	55040381005
40.5	9.7	4.3	78.33	20.28	55040431005
40.5	9.7	4.8	87.43	22.25	55040481005
40.5	9.7	5.8	105.65	26.24	55040581005
40.5	9.7	6.3	114.76	28.21	55040631005
40.5	9.7	6.6	120.22	29.42	55040661005
50.5	9.7	0.8	23.15	8.47	55050081005
50.5	12.7	0.8	22.52	8.32	55050081305
50.5	9.7	1.0	28.94	9.74	55050101005
50.5	12.7	1.0	28.14	9.55	55050101305
50.5	12.7	1.3	36.59	11.39	55050131305
50.5	12.7	1.5	42.22	12.64	55050151305
50.5	9.7	1.8	52.08	14.80	55050181005
50.5	12.7	1.8	50.66	14.47	55050181305
50.5	12.7	2.0	56.29	15.70	55050201305
50.5	12.7	2.3	64.73	17.56	55050231305
50.5	12.7	2.6	73.18	19.40	55050261305
50.5	12.7	2.8	78.80	20.65	55050281305
50.5	12.7	3.0	84.43	21.87	55050301305
50.5	12.7	3.3	92.88	23.73	55050331305
50.5	12.7	3.8	106.95	26.79	55050381305
50.5	12.7	4.3	121.02	29.88	55050431305
50.5	12.7	6.3	177.31	42.20	55050631305
63.5	15.7	0.8	35.68	10.55	55063081605
63.5	15.7	1.0	44.60	12.50	55063101605
63.5	15.7	1.3	57.98	15.42	55063131605
63.5	15.7	1.5	66.90	17.38	55063151605
63.5	15.7	1.8	80.28	20.30	55063181605
63.5	15.7	2.3	102.58	25.18	55063231605
63.5	15.7	2.8	124.88	30.05	55063281605
63.5	15.7	3.0	133.80	32.01	55063301605
63.5	15.7	3.3	147.18	34.93	55063331605
63.5	15.7	3.8	169.48	39.81	55063381605
63.5	15.7	4.3	191.78	44.68	55063431605
63.5	15.7	4.8	214.08	49.56	55063481605
63.5	15.7	5.3	236.38	54.43	55063531605
63.5	15.7	6.3	280.98	64.19	55063631605
70.5	15.7	0.8	44.52	13.13	55070081605
70.5	15.7	1.0	55.65	15.56	55070101605
70.5	15.7	1.3	72.35	19.21	55070131605
70.5	15.7	1.8	100.17	25.28	55070181605
70.5	15.7	3.3	183.65	43.52	55070331605
80.5	21.7	0.7	49.56	14.61	55080072205
80.5	21.7	0.8	56.64	16.17	55080082205

BRUTTO CHF
Hartmetall-Rondellen, roh gesintert

Solid tungsten carbide slitting saws, as sintered

Ebauches pour scies circulaires en métal dur monobloc, bruts de frittage

Dischi per seghe circolari in metallo duro, grezzi di sinterizzazione

LI-MV-007 / Rev. 3
Version: 01.12.2017
Druckdatum: 26.01.2018
Gültigkeit bis auf Widerruf
00000 - 000 - 00


Abmessung Dimension Dimension Dimensioni	roh as sintered brut de frittage grezzi	Artikel-Nr. Article-No. Article-No. Nr. Articolo
---	--	---

Ø D mm	Ø d mm	s mm	Gr	RF13 CHF	
80.5	21.7	1.0	70.80	19.28	55080102205
80.5	15.7	1.3	95.47	24.72	55080131605
80.5	21.7	1.3	92.03	23.92	55080132205
80.5	15.7	1.5	110.16	27.93	55080151605
80.5	21.7	1.5	106.19	27.03	55080152205
80.5	21.7	1.8	127.43	31.67	55080182205
80.5	15.7	2.3	168.91	40.79	55080231605
80.5	21.7	2.3	162.83	39.44	55080232205
80.5	21.7	2.5	176.99	42.53	55080252205
80.5	15.7	2.8	205.63	45.50	55080281605
80.5	21.7	2.8	198.23	44.14	55080282205
80.5	15.7	3.3	242.35	52.98	55080331605
80.5	21.7	3.3	233.63	51.35	55080332205
80.5	21.7	3.5	247.79	54.16	55080352205
80.5	21.7	4.0	283.18	61.38	55080402205
80.5	21.7	4.3	304.42	65.60	55080432205
80.5	21.7	4.8	339.82	72.82	55080482205
80.5	15.7	6.3	462.67	97.93	55080631605
100.5	21.7	1.0	113.44	30.96	55100102205
100.5	21.7	1.3	147.48	38.43	55100132205
100.5	21.7	1.5	170.16	43.40	55100152205
100.5	21.7	1.8	204.20	47.47	55100182205
100.5	21.7	2.0	226.89	52.09	55100202205
100.5	21.7	2.3	260.92	59.11	55100232205
100.5	21.7	2.5	283.61	63.73	55100252205
100.5	21.7	2.8	317.64	70.55	55100282205
100.5	21.7	3.3	374.36	82.19	55100332205
100.5	21.7	3.5	397.05	86.78	55100352205
100.5	21.7	4.3	487.81	105.24	55100432205
125.5	21.7	1.1	198.01	61.23	55125112205
125.5	21.7	1.3	234.01	68.72	55125132205
125.5	21.7	1.5	270.01	68.89	55125152205
125.5	21.7	2.1	378.01	91.06	55125212205
125.5	21.7	2.3	414.01	98.33	55125232205
125.5	21.7	3.3	594.02	135.04	55125332205
150.5	31.7	2.1	535.51	* 156.63	55150213205
150.5	31.7	2.3	586.51	* 166.15	55150233205
160.5	31.7	1.3	379.13	129.58	55160133205
160.5	31.7	1.5	437.46	140.52	55160153205
160.5	31.7	1.8	524.96	157.23	55160183205
160.5	31.7	2.1	612.45	174.55	55160213205
160.5	31.7	2.3	670.78	185.52	55160233205
160.5	31.7	2.8	816.60	214.32	55160283205
200.5	31.7	1.8	831.17	234.13	55200183205
200.5	31.7	2.1	969.69	259.77	55200213205
200.5	31.7	2.5	1'154.40	293.80	55200253205

* Lagerbestand ohne Bewirtschaftung / on stock until sold

Sonderausführungen, andere Sorten oder Abmessungen auf Anfrage
Special executions, grades or dimensions upon request
Exécutions spéciales, autres nuances ou dimensions sur demande
Esecuzioni speciali, altre qualità oppure dimensioni su richiesta

Lieferung ab Lager, Zwischenverkauf vorbehalten, gemäß Allgemeinen Geschäftsbedingungen
Delivery from stock, subject to prior sale, according to standard business conditions
Livraison du stock, vente intermédiaire réservée, selon conditions générales d'affaires
Consegna del magazzino, salvo vendita, secondo condizioni generali di contratto